

# Operating Instructions

Not intended to be a complete operator manual

## AERATION TIPS

### Should I water before aerating?

Best aerating condition is a soft and moist ground. If you are unsure of the ground conditions, as in soil with high clay content, a simple test will determine whether it is necessary to water before aerating. Using a garden hand spade or a large screw driver, you should be able to drive the tool in the ground 2 to 3 inches with little effort. If you are unable to do so, then watering the lawn a day before aerating is necessary.

### When should I use the removalole weights?

Soil conditions will dictate whether extra machine weight is needed for effective coring action. The weights are provided to give you added control, and greater tine penetration.

## BEFORE YOU START

1. Make sure that engine oil is at engine manufacturer's recommended level (refer to engine manual). Be sure gear reduction oil is at engine manufacturer's recommended level. Make sure the machine is level when filling with oil.
2. With the folding handle in its operating position, lock the handle cam lock (Models 424 & 530A only).
3. Rear wheel control handle must be pulled up so rear wheels are all the way down.
4. Insert weights if needed.
5. Be sure handle is properly mounted.



### CAUTION!

Be sure clutch cable is routed properly.

6. Test clutch handle to insure clutch releases freely.
7. The engine top speed is preset by the engine manufacturer. Consult the engine manufacturer's manual for directions to adjust the governor and carburetor if speed is not within correct range.
8. 742 Honda Engines Only: The throttle cable has been installed by the factory, however throttle spring needs to be connected to throttle/clutch control lever (see Figure 4).

## AERATING

1. Start engine and adjust throttle setting to provide a comfortable walking speed and maintain control of the equipment at all times.
2. Adjust depth control knob (see Figure 1 or 2) to desired depth. Coring depth decreases by turning the knob clockwise.  
NOTE: by raising the rear wheels all the way up (to obtain maximum coring depth) you will reduce the unit's stability but increase length of core.
3. Push down the rear wheel control handle to lower aerating tines into the ground (rear wheels will rise).
4. Push down on handle bar for better tine penetration and maneuverability (front wheel will rise).
5. Engage clutch control.
6. Adjust engine throttle setting, if needed, for comfortable speed.
7. To stop, release clutch control.



### CAUTION!

NEVER cross hard objects or surfaces (sidewalks, driveways, stepping stones, etc.) with tines down.

## REAR WHEEL ADJUSTMENT

The rear wheel depth/stability control knob (see Figure 7) allows adjustment for better stability and maneuverability by turning knob clockwise. Adjusting for depth by turning knob counter clockwise determines the length of the cores pulled in the following ways:

- (A) The rear wheels can be adjusted to the level you desire so you can control the penetration of the tines to within a fraction of an inch. The length of the cores pulled can be controlled accordingly.
- (B) With the rear wheels adjusted to the full up position, you will obtain maximum tine penetration. Pushing down on the machine's handle bars will put most of the weight of the machine on the tines. In this configuration you will pull the longest cores. (Front wheel will rise).



Figure 7

# Operating Instructions

NOTE: Adjusting for greater stability will shorten the length of the cores you pull. You will gain greater side-to-side stability (see below "Operating on Hills." Adjustments for greater stability will also improve maneuverability during aeration.)

## TURNING AND MANEUVERING THE AERATOR

Gradual maneuvering while aerating can be accomplished by simply guiding the machine. We recommend that you adjust your engine's speed control to allow for a comfortable walking speed. This will also help you maintain complete control while working in tight spaces. Adjusting for more stability (with the rear wheels lowered, reducing tine penetration) will make turning easier.

When reversing direction or making sharp turns two methods of turning can be used. Select the safest and most comfortable method for the conditions you face:

- (A) Release clutch control handle, pull up rear wheel control handle, then pivot machine on rear wheels to turn.
- (B) Release clutch control handle, lift handle bar and pivot machine on front wheel.



## OPERATING ON HILLS

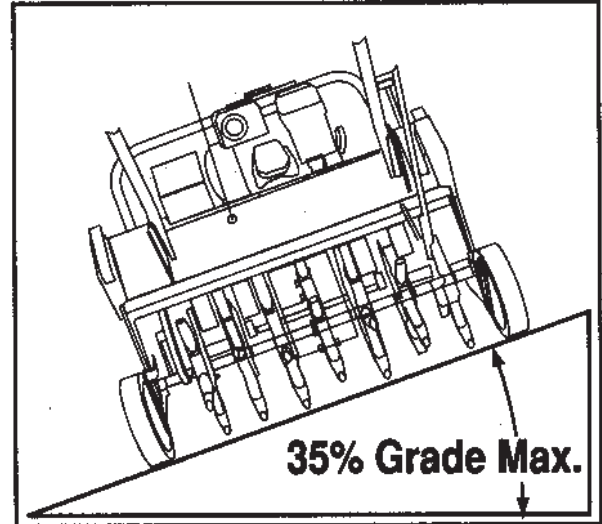


Figure 8

This unit is not designed to be used on steep slopes. Be aware that when operating on hills the tilt of the aerator will cause the machine's center of gravity to shift to the downhill side of the machine. Under these circumstances you may experience:

- (A) The need to exert a greater effort to steer and maintain the balance of the machine.
- (B) Uneven tine penetration, when operating across a hill. Due to the shifted center of gravity the downhill tines will penetrate to the maximum depth, while uphill tines may not.

